



SPECIFICATIONS
24" DISHWASHER-WHITE OR BLACK



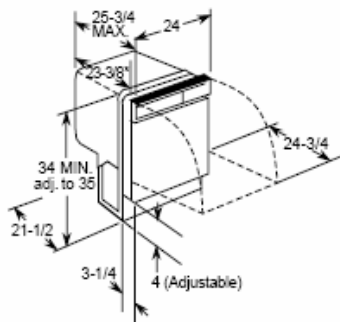
FEATURES

- LARGE CAPACITY
- 2-LEVEL WASH
- SOUND BLANKET
- TAP TOUCH CONTROLS
- 5 AUTOMATIC CYCLES
- POTS & PANS CYCLE
- HEATED DRY
- LARGE SILVERWARE BASKET WITH COVER

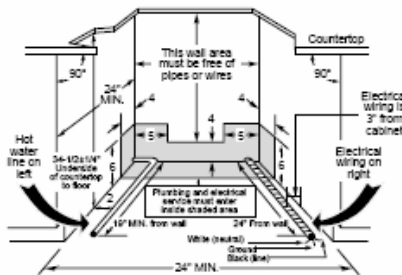
DIMENSIONS

- HEIGHT W/LEGS EXTENDED: 35"
- OVERALL DEPTH: 25-3/4"
- OVERALL HEIGHT: 34"
- OVERALL WIDTH: 24"

Built-In Dishwasher Dimensions (in inches)



Rough-In Installation Information (in inches)



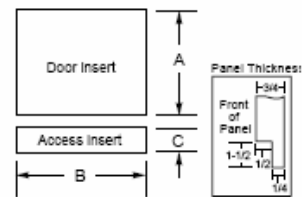
Note: Dishwasher must not be installed more than 10 feet from sink for proper drainage. All plumbing and electrical work must be in accordance with local codes.

Electrical Rating

Voltage AC.....	120
Hertz	60
Total connected load amperage.....	6.2
Calrod® heater watts.....	500

For use on adequately wired 120-volt, 15-amp circuit having 2-wire service with a separate ground wire. This appliance must be grounded for safe operation.

Wood Insert Cut-Out Dimensions (in inches)



Models/Kits	A	B	C	Panel Thickness
GE Models				
GFF325 KIT	18-7/8"	23-9/16"	3-11/16"	1/4"
			4-1/4" to	
GFF325 KIT	18-15/16"	23-5/8"	3-3/4"	3/4"

*Bottom of panel must be matched 1-1/2"x1/2" to clear access panel.
**Adjustment required to match adjacent cabinets fronts due to leveling leg adjustment, 4° nominal.

