



SPECIFICATIONS
20" FREE-STANDING ELECTRIC RANGE-WHITE



PERFORMANCE

- (1) 8" PLUG-IN HEATING ELEMENT
- (3) 6" PLUG-IN HEATING ELEMENT

DIMENSIONS

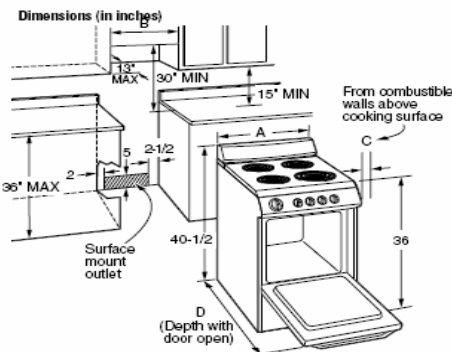
WIDTH 23/25/32"
HEIGHT 11-11/64"
DEPTH 12-9/32"

ELECTRICAL

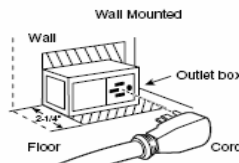
6.2 KW AT 208 VOLTS
8.2 KW AT 240 VOLTS

FEATURES

- RECESSED LIFT-UP COOKTOP
- PORCELAIN ENAMELED SUBTOP
- REMOVABLE CHROME DRIP BOWLS
- INDICATOR LIGHTS
- BROILER PAN WITH GRID
- (2) OVEN SHELVES
- SOLID PORCELAIN ENAMELED OVEN DOOR



| Models | A | B | C (recommended) | D |
|----------|-----|---------|-----------------|-----|
| 20" Wide | 20" | 20-3/8" | 2" | 41" |
| 24" Wide | 24" | 24-3/8" | 2" | 41" |



Recommended acceptable electrical outlet area. Orient the electrical receptacle so the length is parallel to the floor.

| KW Rating | |
|-----------|-----|
| 200V | 9.2 |
| 208V | 6.9 |

Receptacle locations
Locally approved flexible service cord or conduit must be used because terminals are not accessible after range installation. See shaded area in drawings for location of electrical outlet box. Recommended outlet locations allow range to be installed directly against rear wall.

