



SPECIFICATIONS

20" FREE-STANDING GAS RANGE-WHITE



PERFORMANCE

2.4 OVEN CAPACITY

FEATURES

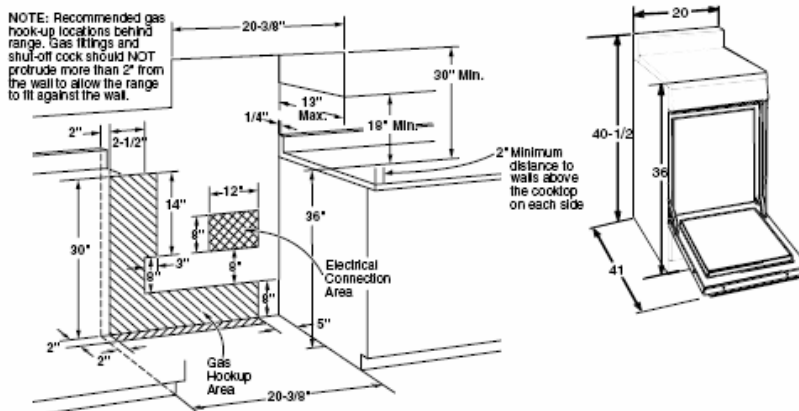
NATURAL GAS (FACTORY SET)
STANDING PILOT IGNITION SYSTEM
PORCELAIN ENAMELED LIFT-UP COOKTOP
STANDARD CLEAN OVEN INTERIOR
RECTANGULAR BURNER GRATES
ALL PURPOSE BURNERS (9100/8000 BTU)
BROILER PAN/BROILER DRAWER

DIMENSIONS

CABINET WIDTH: 20"
OVERALL DEPTH: 26-1/2"
OVERALL HEIGHT: 40"
OVERALL WIDTH: 20"
SHIP WEIGHT: 132LBS

Dimensions (in inches)

Installation Information (in inches)



Electrical Rating: 120V, 60Hz, 5A

Installation Information: Before installing, consult installation instructions packed with product for current dimensional data.

Note: LP conversion kit is required for this model.